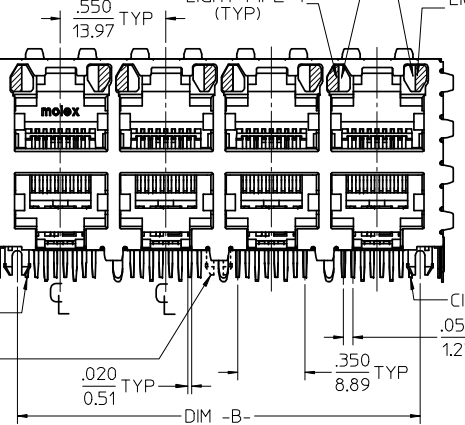


.052  
1.32 TYP

DIM -A-

LIGHT PIPE 3 (TYP)  
LIGHT PIPE 2 (TYP)  
LIGHT PIPE 4 (TYP)  
LIGHT PIPE 1 (TYP)

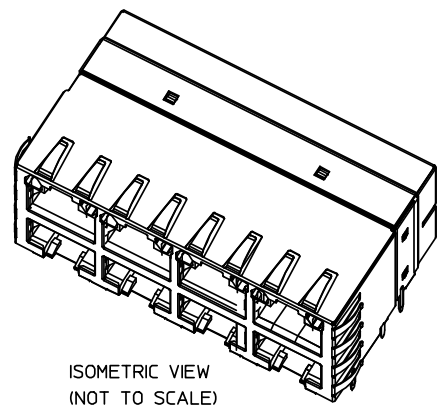
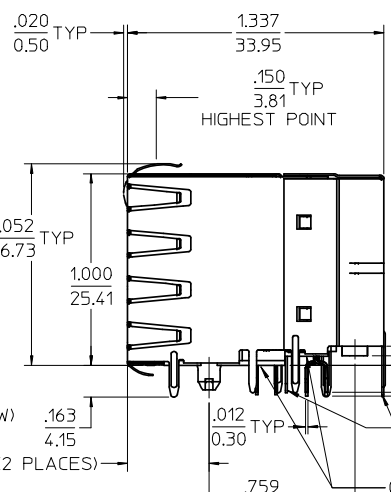
OPTIONAL  
SIDE PANEL  
GROUND TABS  
TYP (8)  
SEE NOTE 9



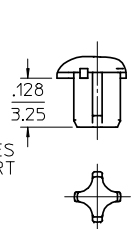
CIRCUIT #1 (BOTTOM ROW)  
SNAP-FIT CENTER PEG  
(16 PORT VERSIONS ONLY)

CIRCUIT #1 (TOP ROW)  
.050 TYP  
1.27  
.350 TYP  
8.89

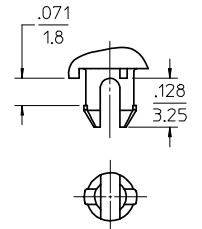
DIM -B-



ISOMETRIC VIEW  
(NOT TO SCALE)



PRESS-FIT PEG  
STYLE (NOTE 6)

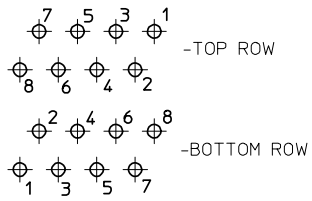


SNAP-FIT PEG  
STYLE (NOTE 6)

- NOTES:
- MATERIAL:  
HOUSING: POLYESTER(PBT), GLASS FILLED, UL94V-0, COLOR: BLACK  
LIGHT PIPES: POLYCARBONATE, UL-94HB, COLOR: CLEAR  
TERMINALS: PHOSPHOR BRONZE  
SHIELD: BRASS
  - FINISH:  
TERMINALS:  
SELECT GOLD IN CONTACT AREA: 50 MICROINCHES / 1.27 MICROMETERS MIN.  
\*SELECT TIN IN PC TAIL AREA: 100 MICROINCHES / 2.54 MICROMETERS MIN.,  
WITH OVERALL NICKEL UNDERPLATE: 50 MICROINCHES / 1.27 MICROMETERS MIN.  
SHIELD:  
\*100 MICROINCHES / 2.54 MICROMETERS NICKEL OVER 50 MICROINCHES /  
1.27 MICROMETERS COPPER UNDERPLATE PCB GROUND TABS DIPPED IN TIN  
\*THE PRIMARY SHIPPING CARTON WILL BE LABELED "COMPLIANT TO RoHS DIRECTIVE  
2002/95/EC AND ELV ANNEX II OF DIRECTIVE 2000/53/EC". CARTONS WITHOUT THIS  
LABEL MAY CONTAIN PRODUCT WITH TIN-LEAD IN THE PC TAILS AND/OR SHIELD.
  - PRODUCT SPECIFICATION AND PROCESSING PARAMETERS: PS-44050-003.
  - PACKAGING SPECIFICATION: CONNECTOR PACKAGED IN THERMOFORMED TRAYS PER PK-44170-003.
  - APPLICATION SPECIFICATION: AS-43860-001
  - CONNECTORS AVAILABLE WITH EITHER SNAP-FIT OR PRESS-FIT PEGS.
  - CONFORMS TO FCC REGULATION PART 68.5 FOR MODULAR JACKS.
  - PCB LAYOUT AND PANEL CUT-OUT SHOWN ON SHEET (2) OF (2).
  - AVAILABLE WITH THE (8) PANEL GROUND TABS REMOVED ON EACH SIDE  
FOR SIDE TO SIDE STACKABILITY.
  - TERMINAL LENGTHS MAY BE DIFFERENT FROM TERMINAL TO TERMINAL.
  - THIS PART CONFORMS TO CLASS B REQUIREMENTS OF COSMETIC  
SPECIFICATION PS-45499-002 WITH THE EXCEPTION OF THE SURFACE  
INDICATED WHICH IS A CLASS C SURFACE.

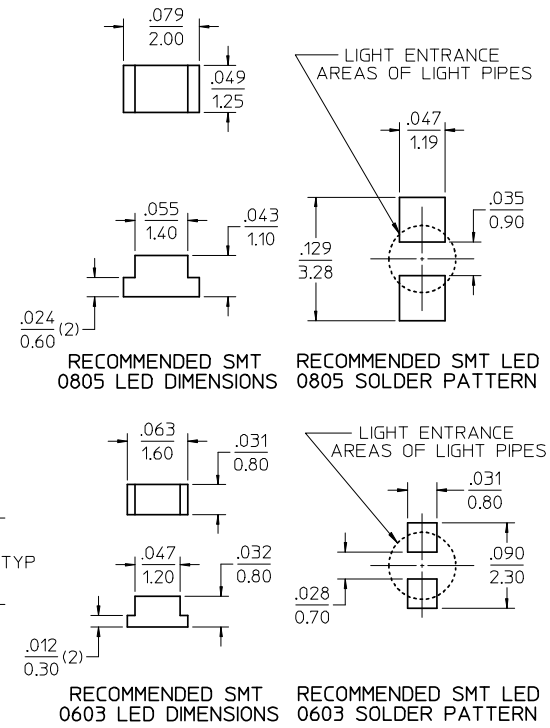
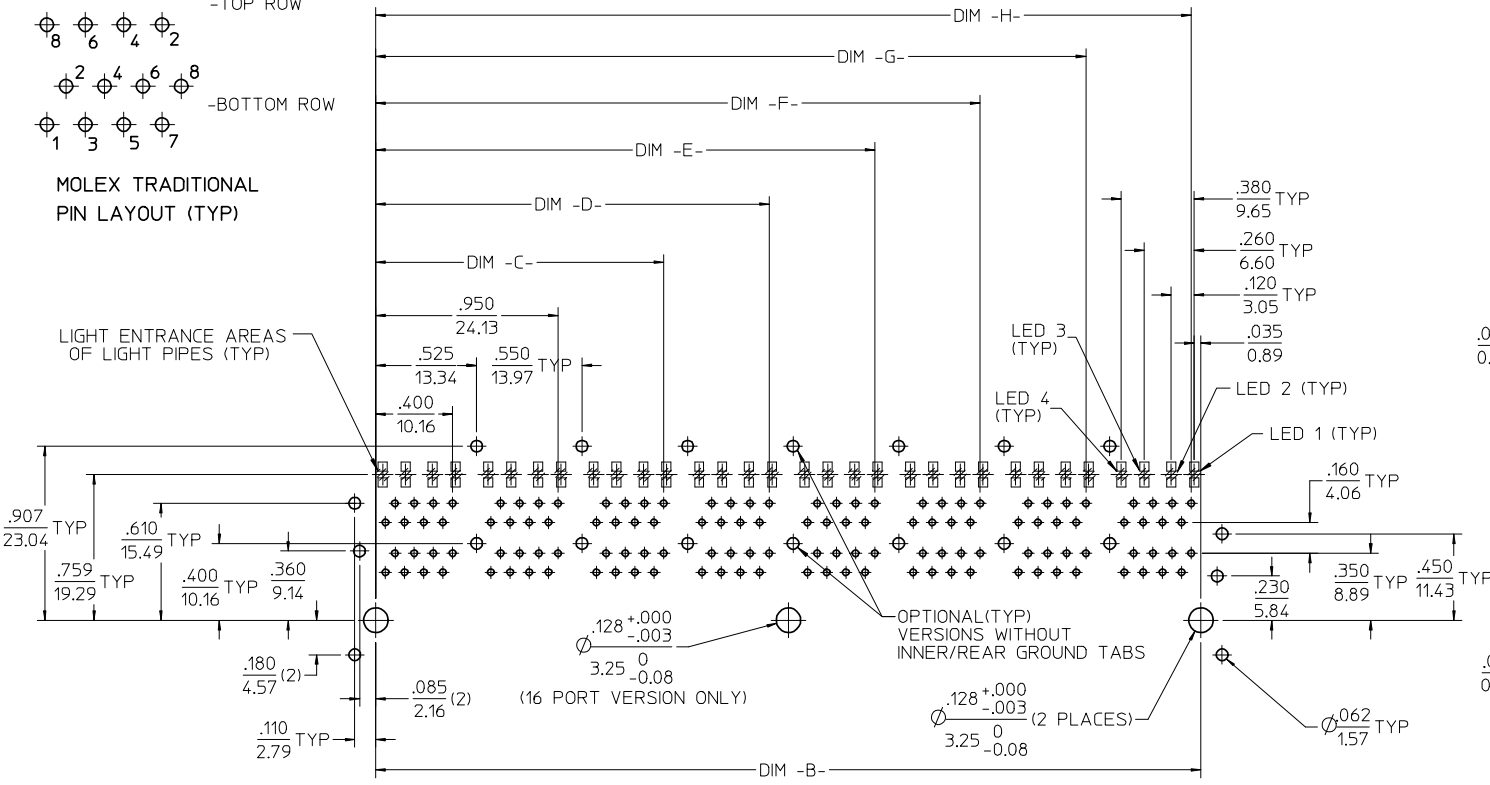
ASSEMBLY MATERIAL NUMBER	NUMBER OF PORTS	PEG STYLE	DIM -A-	DIM -B-	SIDE PANEL GROUND TABS	INNER/REAR GROUND TABS
44170-0001	8 (2 X 4)	SNAP-FIT	2.330/59.18	2.100/53.34	YES	YES
44170-2001	8 (2 X 4)	SNAP-FIT	2.330/59.18	2.100/53.34	NO	YES
44170-3001	8 (2 X 4)	SNAP-FIT	2.330/59.18	2.100/53.34	YES	NO
44170-4001	8 (2 X 4)	SNAP-FIT	2.330/59.18	2.100/53.34	NO	NO
44170-0004	8 (2 X 4)	PRESS-FIT	2.330/59.18	2.100/53.34	YES	YES
44170-2004	8 (2 X 4)	PRESS-FIT	2.330/59.18	2.100/53.34	NO	YES
44170-3004	8 (2 X 4)	PRESS-FIT	2.330/59.18	2.100/53.34	YES	NO
44170-4004	8 (2 X 4)	PRESS-FIT	2.330/59.18	2.100/53.34	NO	NO
44170-0002	12 (2 X 6)	SNAP-FIT	3.430/87.12	3.200/81.28	YES	YES
44170-2002	12 (2 X 6)	SNAP-FIT	3.430/87.12	3.200/81.28	NO	YES
44170-3002	12 (2 X 6)	SNAP-FIT	3.430/87.12	3.200/81.28	YES	NO
44170-4002	12 (2 X 6)	SNAP-FIT	3.430/87.12	3.200/81.28	NO	NO
44170-0005	12 (2 X 6)	PRESS-FIT	3.430/87.12	3.200/81.28	YES	YES
44170-2005	12 (2 X 6)	PRESS-FIT	3.430/87.12	3.200/81.28	NO	YES
44170-3005	12 (2 X 6)	PRESS-FIT	3.430/87.12	3.200/81.28	YES	NO
44170-4005	12 (2 X 6)	PRESS-FIT	3.430/87.12	3.200/81.28	NO	NO
44170-0003	16 (2 X 8)	SNAP-FIT	4.530/115.06	4.300/109.22	YES	YES
44170-2003	16 (2 X 8)	SNAP-FIT	4.530/115.06	4.300/109.22	NO	YES
44170-3003	16 (2 X 8)	SNAP-FIT	4.530/115.06	4.300/109.22	YES	NO
44170-4003	16 (2 X 8)	SNAP-FIT	4.530/115.06	4.300/109.22	NO	NO
44170-0006	16 (2 X 8)	PRESS-FIT	4.530/115.06	4.300/109.22	YES	YES
44170-2006	16 (2 X 8)	PRESS-FIT	4.530/115.06	4.300/109.22	NO	YES
44170-3006	16 (2 X 8)	PRESS-FIT	4.530/115.06	4.300/109.22	YES	NO
44170-4006	16 (2 X 8)	PRESS-FIT	4.530/115.06	4.300/109.22	NO	NO

<b>REVISED NOTE 11</b> EC NO: UCP2009-0280 DRAWN: KLOSTERMAYER 2008/08/01 CHKD: BELL 2008/08/04 APPR: FSMITH 2008/08/04 REV 3	QUALITY SYMBOLS ▽=0 ▽=0	GENERAL TOLERANCES (UNLESS SPECIFIED) <table border="1"> <tr><th>mm</th><th>INCH</th></tr> <tr><td>4 PLACES ± .010</td><td>± .0004</td></tr> <tr><td>3 PLACES ± .010</td><td>± .0004</td></tr> <tr><td>2 PLACES ± .025</td><td>± .0010</td></tr> <tr><td>1 PLACE ± .050</td><td>± .0020</td></tr> </table>	mm	INCH	4 PLACES ± .010	± .0004	3 PLACES ± .010	± .0004	2 PLACES ± .025	± .0010	1 PLACE ± .050	± .0020	DIMENSION STYLE IN/MM DRAWN BY: MARGULIS DATE: 98/11/16 CHECKED BY: ROBERTS DATE: 98/11/16 APPROVED BY: ROBERTS DATE: 98/11/16	SCALE: 2:1 DESIGN UNITS: INCH THIRD ANGLE PROJECTION
	mm	INCH												
	4 PLACES ± .010	± .0004												
	3 PLACES ± .010	± .0004												
2 PLACES ± .025	± .0010													
1 PLACE ± .050	± .0020													
DRAFT WHERE APPLICABLE MUST REMAIN WITHIN DIMENSIONS	MATERIAL NO. SEE CHART SIZE: C	TITLE: STACKED MODULAR JACK WITH LIGHT PIPES MOLEX INCORPORATED	SHEET NO. 1 OF 2											
THIS DRAWING CONTAINS INFORMATION THAT IS PROPRIETARY TO MOLEX INCORPORATED AND SHOULD NOT BE USED WITHOUT WRITTEN PERMISSION														
DOCUMENT NO. SD-44170-001														

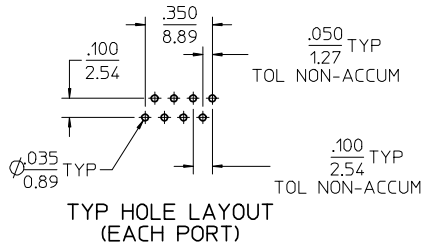


MOLEX TRADITIONAL  
PIN LAYOUT (TYP)

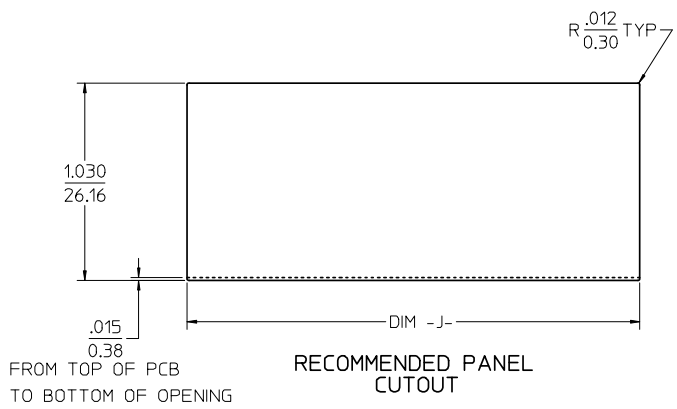
LIGHT ENTRANCE AREAS  
OF LIGHT PIPES (TYP)



PC BOARD LAYOUT: COMPONENT SIDE  
RECOMMENDED PCB THICKNESS: .062/1.57  
(16 PORT VERSION SHOWN)



- NOTES:  
1. SEE MOLEX WEB SITE FOR CROSS REFERENCE OF RECOMMENDED LED'S.



NUMBER OF PORTS	DIM -B-	DIM -C-	DIM -D-	DIM -E-	DIM -F-	DIM -G-	DIM -H-	DIM -J-
8 (2 X 4)	2.100/53.34	1.500/38.10	2.050/52.07					2.360/59.94
12 (2 X 6)	3.200/81.28	1.500/38.10	2.050/52.07	2.600/66.04	3.150/80.01			3.460/87.88
16 (2 X 8)	4.300/109.22	1.500/38.10	2.050/52.07	2.600/66.04	3.150/80.01	3.700/93.98	4.250/107.95	4.560/115.82

<b>SEE SHEET 1</b> EC NO: UCP2009-0280 DRWN: KLOSTEMEIER 2008/08/01 CHKD: J.BELL 2008/08/04 APPR: FSM ITH 2008/08/04	QUALITY SYMBOLS	GENERAL TOLERANCES (UNLESS SPECIFIED)	DIMENSION STYLE	SCALE	DESIGN UNITS	THIRD ANGLE PROJECTION
	▽=0	mm INCH	IN/MM	2:1	INCH	
	▽=0	4 PLACES ± --- ± ---	DRAWN BY DATE	TITLE		
		3 PLACES ± --- ± .010	MARGULIS 98/11/16	STACKED MODULAR JACK WITH LIGHT PIPES		
		2 PLACES ± .25 ± ---	CHECKED BY DATE	MOLEX INCORPORATED		
	1 PLACE ± --- ± ---	ROBERTS 98/11/16	SD-44170-001			
		APPROVED BY DATE	SHEET NO.			
		ROBERTS 98/11/16	2 OF 2			
		MATERIAL NO.	THIS DRAWING CONTAINS INFORMATION THAT IS PROPRIETARY TO MOLEX INCORPORATED AND SHOULD NOT BE USED WITHOUT WRITTEN PERMISSION			
		SEE CHART				